



**MADE IN
TURKEY**



OUTPUT VALUES

Standby Power	Voltage	230/400
Standby Power	kVA	225
Standby Power	kW	180
Standby Power	Amper	324
Prime Power	Voltage	230/400
Prime Power	kVA	203

Prime Power	kW	162
Prime Power	Amper	292

DIESEL ENGINE

Brand	Ricardo
Model	R6110ZLD
Max. Total Output Pow. (kWm/hp)	185/240
Cylinder Displacement (lt)	7,1
Cylinder Orientation	6 Single Line
Bore x Stroke(mm*mm)	105*130
Compression Ratio	16;01
Governor Type	Mechanic
Rotation	1500 RPM
Aspiration System	Turbo Charge
Injection	Direct
Cooling System	Water Cooled
Electrical System(V DC)	24
Oil Capacity (lt)	18
Engine Coolant Capacity (lt)	85
Fuel Cons. %50 (lt/h)	20,6
Fuel Cons. %75 (lt/h)	35
Fuel Cons. %100 (lt/h)	41

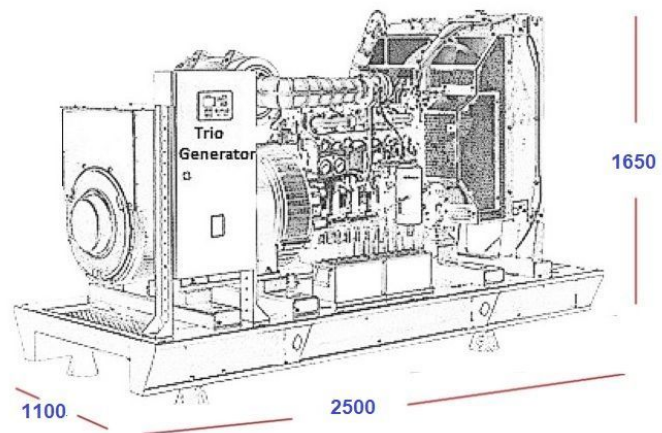
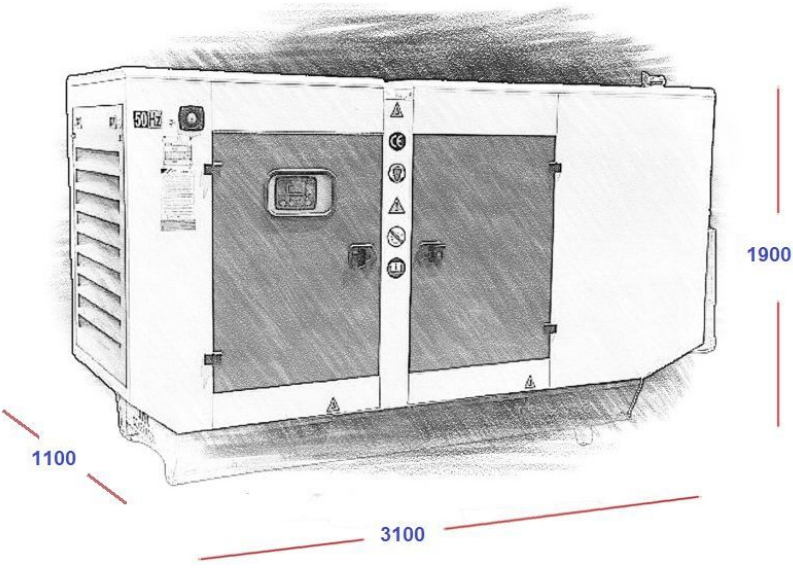
ALTERNATOR

Standby Power (kVa/kw)	248/198
Prime Power (kVa/kw)	223/178
Brand	TRIO
Output Voltage (V)	231/400
Frequency (Hz)	50
Stationary Vol. Regulation(±)	0,01
Short Circuit Current	%300 (10 sec)
Insulation	H
Protection	IP23
Efficiency (%)	92
Overloading	110% for 1 hour
Power Factor (cos Q=0.8)	0,8
Tot. Harmonic Dist. Rate	<1 %
Connection Type	Star
Number of Pole	4
Number of Bearing	Single

DIMENSIONS & WEIGHT

Without Canopy	Width	1100 mm
Without Canopy	Length	2500 mm
Without Canopy	High	1650 mm
Without Canopy	Weight	1675 kg

Without Canopy	Fuel Tank Capacity	280 lt
With Canopy	Width	1100 mm
With Canopy	Length	3100 mm
With Canopy	High	1900 mm
With Canopy	Weight	2250 kg
With Canopy	Fuel Tank Capacity	280 lt



**MADE IN
TURKEY**